



next generation led

info@nextgenerationled.be
www.nextgenerationled.be
Tel + 32 53 71 09 42

Dominua



Dominua II



Tisua Line:

“Exquisite lighting series for creative designers”

Properties

- A light that doesn't annoy, that is constructed neatly and doesn't cause trouble
- Elegant and flexible solution and furthermore a class of its own from a visual point of view: Dominua is the name of our designer solution which is superior to most fitted spotlights
- Although it is also planarly installed on a ceiling or wall, the movable light ring with its LEDs provides light upwards and downwards
- The opportunity to smoothly adjust the ring in a nearly invisible hinge is what makes this designer light from our Munich light manufactory so special
- Optionally you can order the LED light band on top with colourful LEDs
- LEDs with efficiency class A and according to EU-Regulation 874/2012 are used
- Warranty: 5 years

Dominua III



Turnable and tiltable

Design

Dimmable

Available with RGB

Specifications

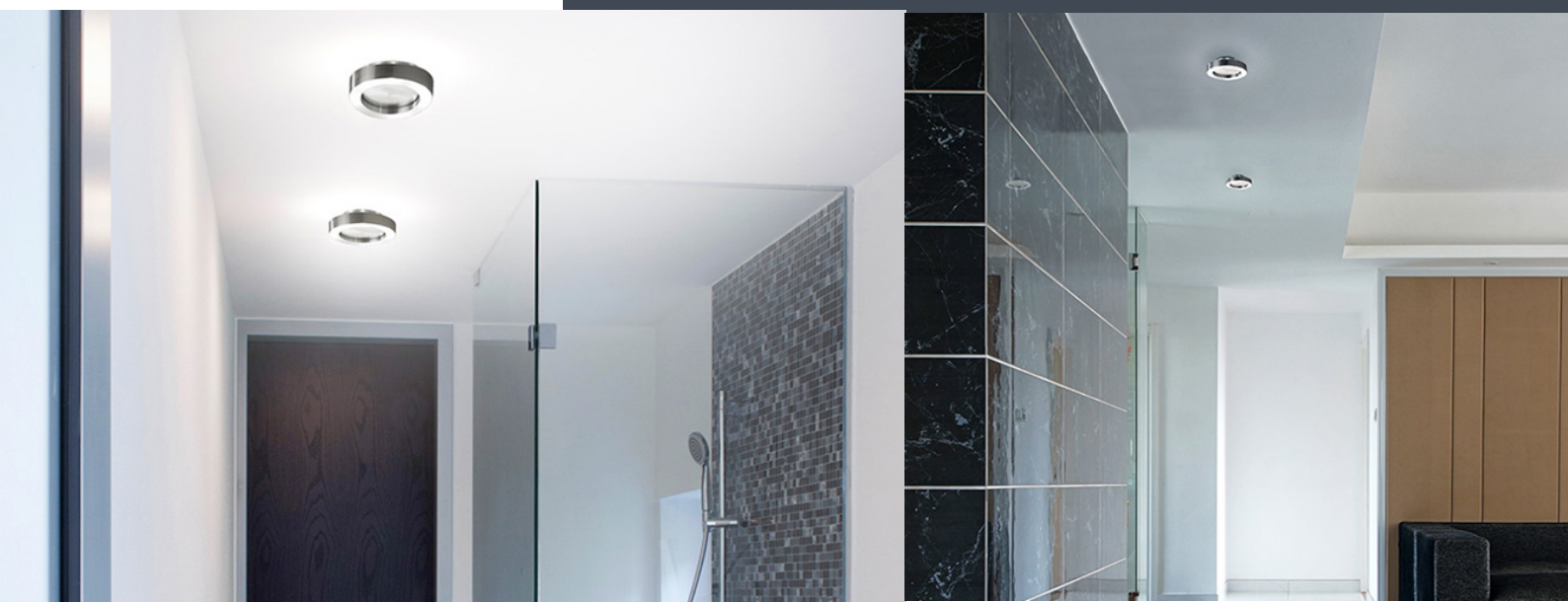
	DOMINUA I, II and III
Power	12W, 24W OR 36W
Power factor (Pf)	0.99
Power supply	110V ~ 240 V / 50 Hz
Color rendering index	90
Color temperature	3000K

Application

Living room, bedroom, kitchen, any room that needs a soul...

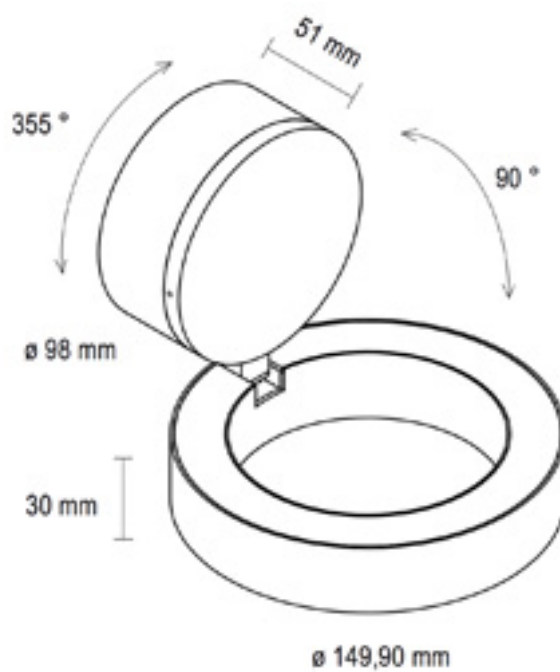
Updated: April 2019

info@nextgenerationled.be ● www.nextgenerationled.be



Installation guide

Dominua I





next generation led

DOMINUA

REFERENCE	WATT	RGB	COLOR	WARRANTY	BLUETOOTH
600-0570	12 W	OPTIONAL	3000 K	5 y	NO
600-0571	24 W	OPTIONAL	3000 K	5 y	NO
600-0572	36 W	OPTIONAL	3000 K	5 y	NO