



next generation led

info@nextgenerationled.be  
www.nextgenerationled.be  
Tel + 32 53 71 09 42

## TRACK RAIL AND ACCESSORIES



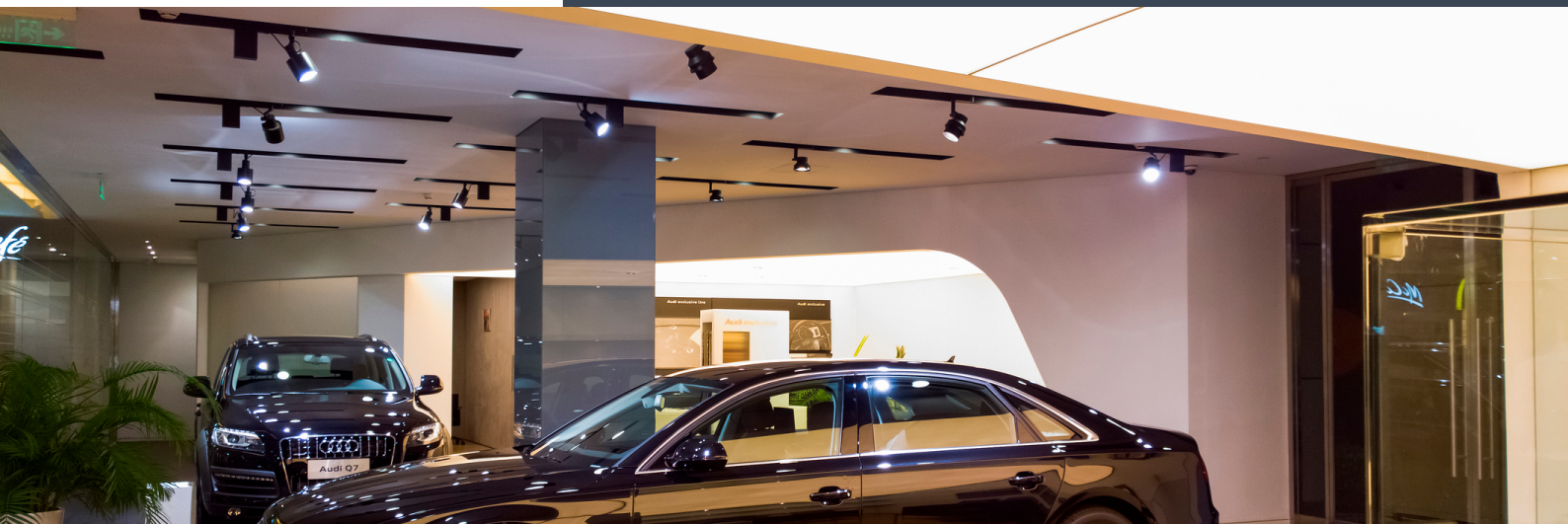
### Properties

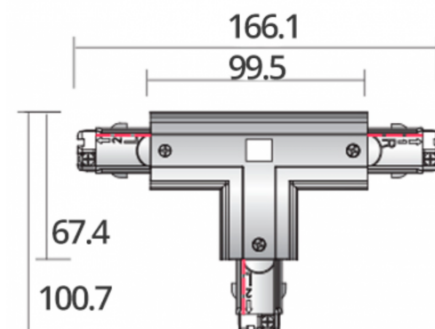
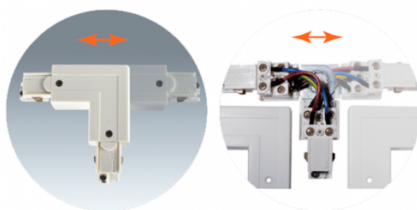
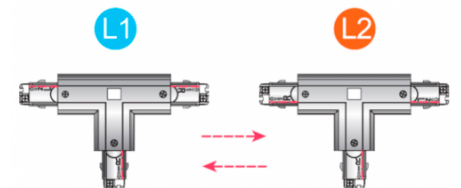
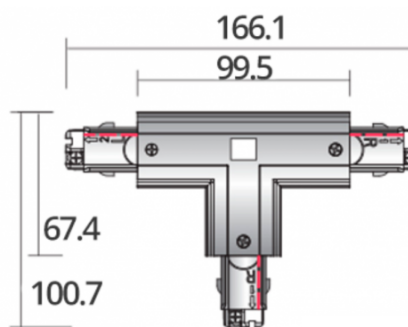
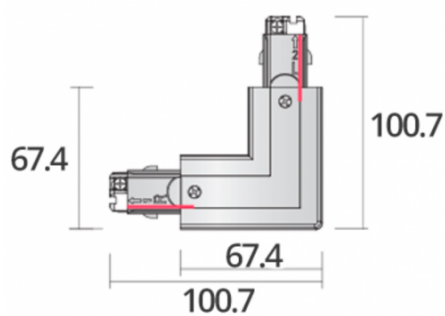
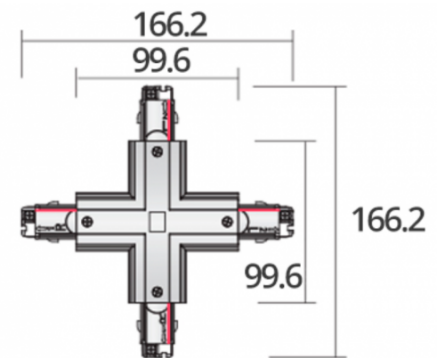
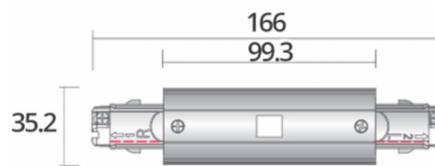
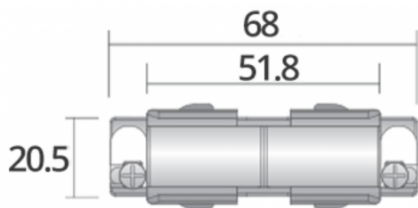
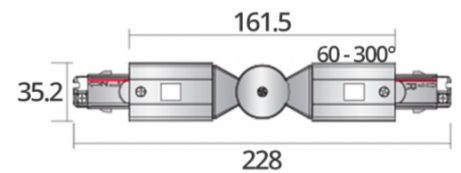
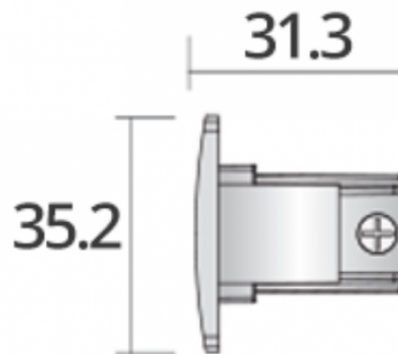
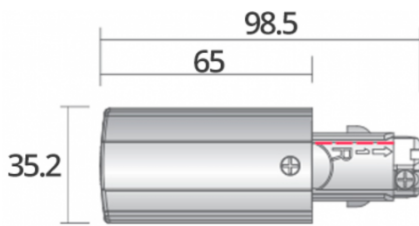
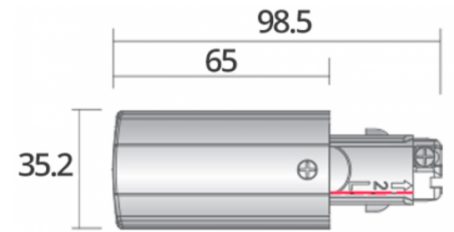
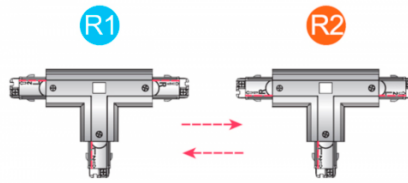
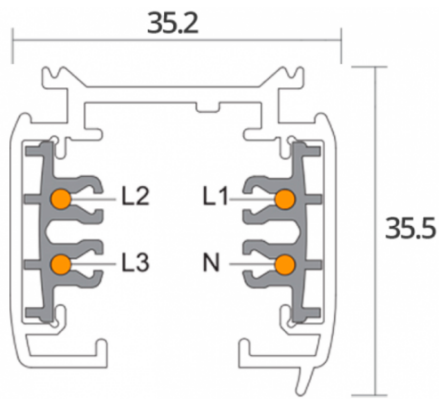
- The 3-phase rail system, in combination with the LED luminaires from Next Generation LED, offers the optimal solution for efficient lighting of any interior that requires a professional interpretation within the retail, catering, healthcare institutions and company buildings
- High-quality rail system available in 1m, 2m and 3m length
- Suitable for 3-phase rail spots of all known brands
- The extensive rail accessories ensure the most efficient and flexible solutions when creating a rail plan
- The rail does not require any post-processing after any shortening and is immediately ready for installation
- The innovative accessories such as reversible corner and T-pieces, user-friendly and extensive mounting options EZCLIK make the 3-phase rail unique in its kind with a fast processing time
- Produced under ISO9001 and ISO 14000 and with the CE, ENEC, UL, TUV and GS certificates, has the most relevant quality marks for the European market
- Very competitive price level

### Application

Hotels, leisure, retail, catering, health-care, office, ...

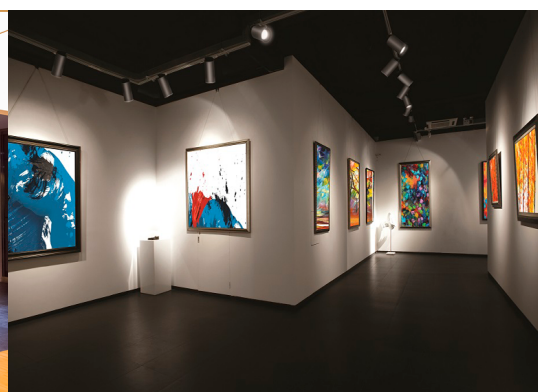
Updated: July 2018







REFERENCE	DESCRIPTION
400-0200	3-phase power rail 1 meter white
400-0201	3-phase power rail 2 meter white
400-0202	3-phase power rail 3 meter white
400-0203	3-phase power rail connection power supply left white
400-0204	3-phase power rail connection power supply right white
400-0205	3-phase power rail connector white
400-0206	3-phase power rail end cap white
400-0207	3-phase power rail corner piece (left and right to use) white
400-0208	3-phase power rail adjustable T-piece right white
400-0209	3-phase power rail adjustable T-piece left white
400-0210	3-phase power rail middle connector white
400-0211	3-phase power rail bend white
400-0212	3-phase power rail cross connection white
400-0213	3-phase power rail mounting bracket white
400-0214	3-phase power rail pendulum set 5m steel wire + ceiling cap white
400-0215	3-phase power rail mounting plate white
400-0216	3-phase voltage track universal adapter white
400-0217	3-phase power rail 1 meter black
400-0218	3-phase power rail 2 meter black
400-0219	3-phase power rail 3 meter black
400-0220	3-phase power rail connection power supply left black
400-0221	3-phase power rail connection power supply right black
400-0222	3-phase power rail connector black
400-0223	3-phase power rail end cap black
400-0224	3-phase power rail corner piece (left and right to use) black
400-0225	3-phase power rail adjustable T-piece right black
400-0226	3-phase power rail adjustable T-piece left black
400-0227	3-phase power rail middle connector black
400-0228	3-phase power rail bend black
400-0229	3-phase power rail cross connection black
400-0230	3-phase power rail mounting bracket black
400-0231	3-phase power rail pendulum set 5m steel wire + ceiling cap black
400-0232	3-phase power rail mounting plate black
400-0233	3-phase voltage track universal adapter black



REFERENCE	DESCRIPTION
400-0234	3-phase power rail 1 meter alu
400-0235	3-phase power rail 2 meter alu
400-0236	3-phase power rail 3 meter alu
400-0237	3-phase power rail connection power supply left alu
400-0238	3-phase power rail connection power supply right alu
400-0239	3-phase power rail connector alu
400-0240	3-phase power rail end cap alu
400-0241	3-phase power rail corner piece (left and right to use) alu
400-0242	3-phase power rail adjustable T-piece right alu
400-0243	3-phase power rail adjustable T-piece left alu
400-0244	3-phase power rail middle connector alu
400-0245	3-phase power rail bend alu
400-0246	3-phase power rail cross connection alu
400-0247	3-phase power rail mounting bracket alu
400-0248	3-phase power rail pendulum set 5m steel wire + ceiling cap alu
400-0249	3-phase power rail mounting plate alu
400-0250	3-phase voltage track universal adapter alu

