



next generation led

info@nextgenerationled.be  
www.nextgenerationled.be  
Tel + 32 53 71 09 42

# SCORPIO STREETLIGHT



## Properties

- Lifespan L70B10: 100.000 hours
- Unique power supply system
- Reflective glare-reducing optical system
- Nano-coated hardened glass with self-cleaning properties
- Six types of optics available to suit different lighting classes and requirements
- High-performance LED modules (up to 210lm/W) with latest CSP technology of more than 100.000 hours
- Protection class: I
- Aluminum die casting body
- Warranty : 5 years

IP 66

IK 09

Built in Surge Prot.

Excellent Uniformity

## Specifications

STREET SCORPIO				
Power	30W	40W	50W	70W
Luminous intensity	4200lm	5500lm	6800lm	8300lm
Power factor (Pf)	0.99			
Input voltage	220~240 V / 50 Hz			
Color rendering index	Ra >70			
Color temperature	4000K			
Ambient temperature	-35°C ~ 45°C			
Ambient humidity	20~80%			
Control system	None/Wireless/Dali			
Effective projective area	0,065m <sup>2</sup>			
Mounting	on pillar ø60/48mm			

## Application

Highway, roadway, street, park, etc...

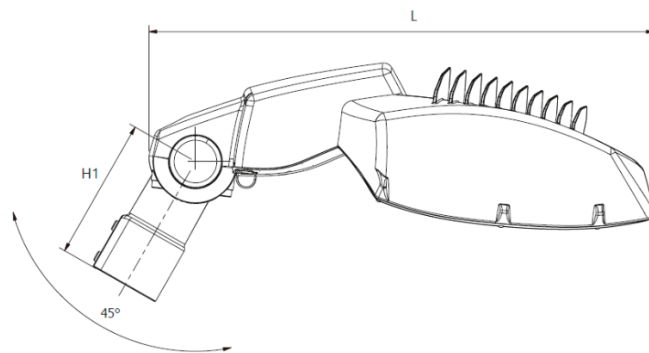
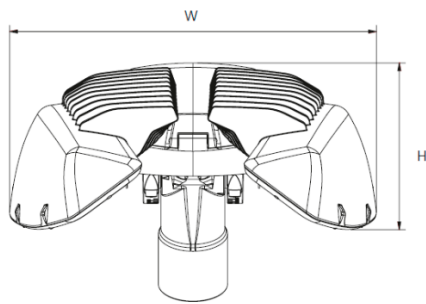
Updated: August 2018

SCORPIO  
intelligent  
road and urban lighting



# Specifications

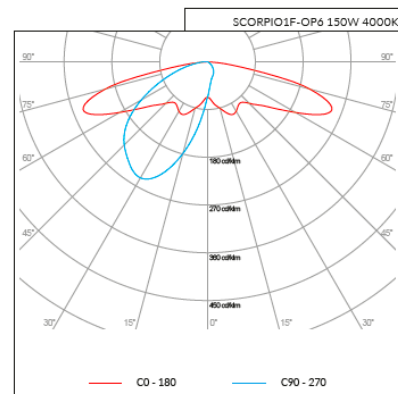
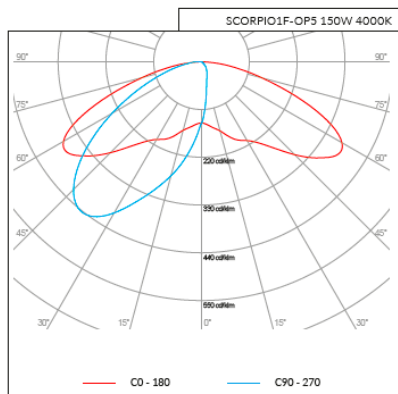
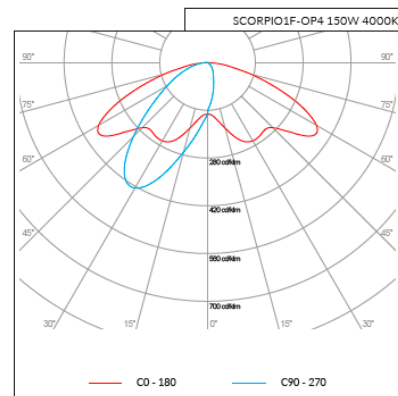
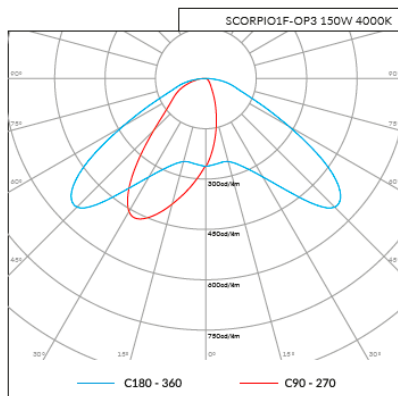
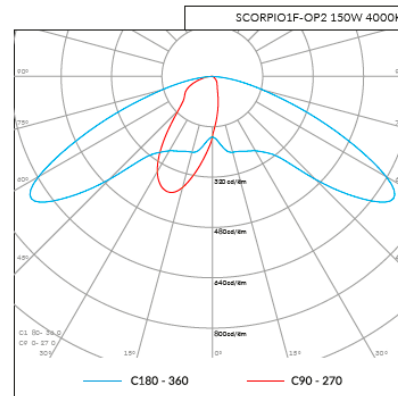
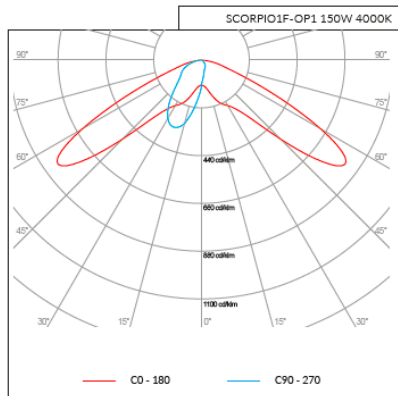
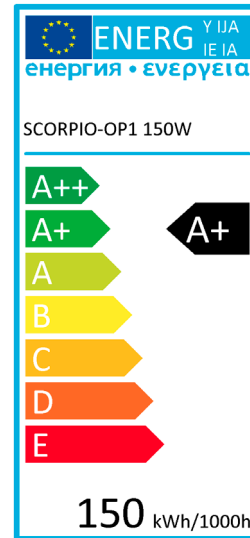
STREET SCORPIO						
Power	90W	110W	130W	150W	180W	200W
Lumineux flux	10300lm	12300lm	14100lm	18000lm	20700lm	22400lm
Power factor (Pf)	0.99					
Input voltage	220~240 V / 50 Hz					
Color rendering index	Ra >70					
Color temperature	4000K					
Ambient temperature	-35°C ~ 45°C					
Ambient humidity	20~80%					
Control system	None/Wireless / dali					
Effective projective area	0,065m²					
Mounting	on pillar ø60/48mm					



	L	W	H	
SCORPIO	570	413	188	7,7

## ENERGY LABEL

Electrical appliances carry an energy label. This label prints the so-called energy efficiency score in classes. These classes range from 'very energy efficient' (A++) to 'very waste of energy' (E). A more expensive new device may eventually turn out to be cheaper if the energy score is good. IPEA is the new system for luminaire energy efficiency assessment.



## STREET SCORPIO

REFERENCE	WATT	LUMEN	KLEUR	CONTROL
190-0100	30 W	4200 lm	4000 K	ON/OFF
190-0101	40 W	5500 lm	4000 K	ON/OFF
190-0102	50 W	6800 lm	4000 K	ON/OFF
190-0103	70 W	8300 lm	4000 K	ON/OFF
190-0104	90 W	10300 lm	4000 K	ON/OFF
190-0105	110 W	12300 lm	4000 K	ON/OFF
190-0106	130 W	14100 lm	4000 K	ON/OFF
190-0107	150 W	18000 lm	4000 K	ON/OFF
190-0108	180 W	20700 lm	4000 K	ON/OFF
190-0109	200 W	22400 lm	4000 K	ON/OFF
190-0110	30 W	4200 lm	4000 K	DALI
190-0111	40 W	5500 lm	4000 K	DALI
190-0112	50 W	6800 lm	4000 K	DALI
190-0113	70 W	8300 lm	4000 K	DALI
190-0114	90 W	10300 lm	4000 K	DALI
190-0115	110 W	12300 lm	4000 K	DALI
190-0116	130 W	14100 lm	4000 K	DALI
190-0117	150 W	18000 lm	4000 K	DALI
190-0118	180 W	20700 lm	4000 K	DALI
190-0119	200 W	22400 lm	4000 K	DALI
190-0120	30 W	4200 lm	4000 K	RF
190-0121	40 W	5500 lm	4000 K	RF
190-0122	50 W	6800 lm	4000 K	RF
190-0123	70 W	8300 lm	4000 K	RF
190-0124	90 W	10300 lm	4000 K	RF
190-0125	110 W	12300 lm	4000 K	RF
190-0126	130 W	14100 lm	4000 K	RF
190-0127	150 W	18000 lm	4000 K	RF
190-0128	180 W	20700 lm	4000 K	RF
190-0129	200 W	22400 lm	4000 K	RF