



next generation led

info@nextgenerationled.be
www.nextgenerationled.be
Tel + 32 53 71 09 42

KARA STAND



Properties

- Lifespan L70 %: > 50.000 hours
- Automatic color conversion mode support
- Slim and simple design
- 2x warm white and 1 x RGB
- Polycarbonate aluminum body
- Polycarbonate 2T cover (diffuser)
- Powder coating, chromium plating finish
- Warranty: 3 years

IP 20	Up: 3000K Down: 2700K Top: RGB	50 lm/W
-------	--------------------------------------	---------

Specifications

Kara Stand	KS20
Power	20W
Lumen	800 lm
Input Voltage	AC100~240V
Color rendering index	80 Ra
Temperature in use	-10°C~50°C
Dimensions	283mmx404m
Weight	2.5kg

Application

Living rooms, bedrooms, offices, hotels, etc...

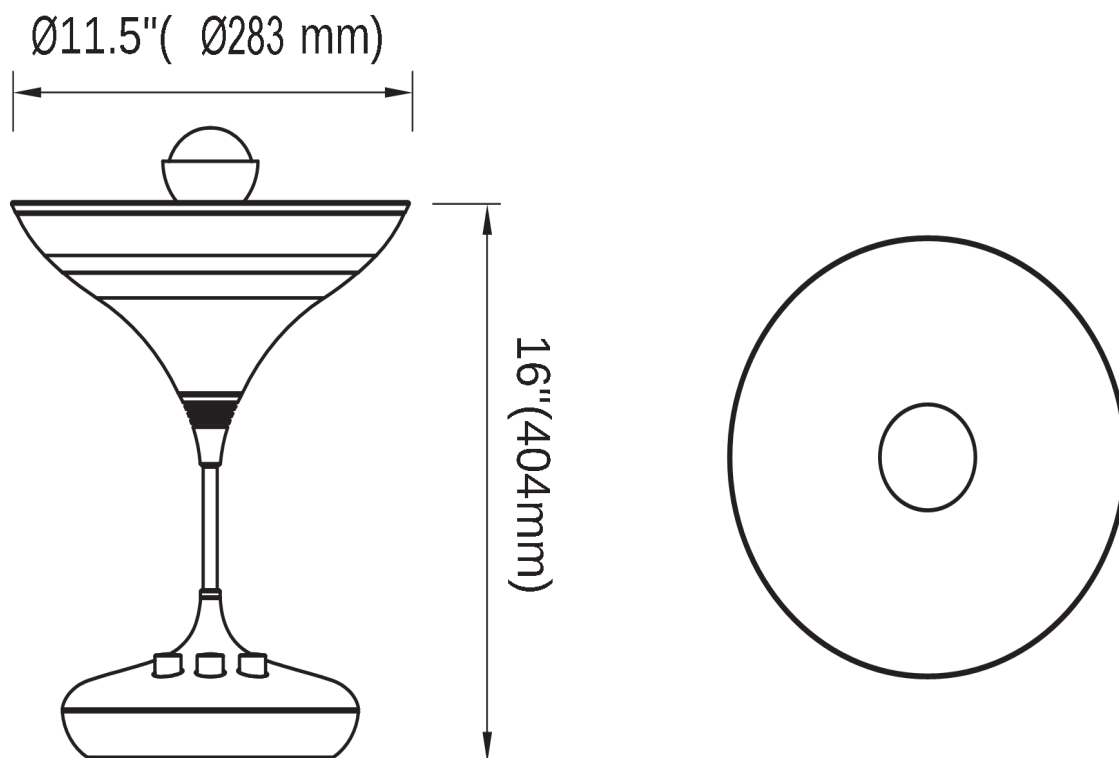
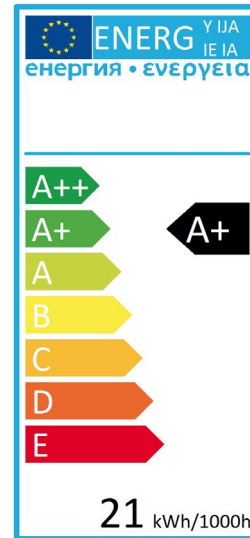
Updated: Feb 2017



ENERGY LABEL

Electrical appliances carry an energy label. This label prints the so-called energy efficiency score in classes. These classes range from 'very energy efficient' (A++) to 'very waste of energy' (E).

A more expensive new device may eventually turn out to be cheaper if the energy score is good. IPEA is the new system for luminaire energy efficiency assessment.





next generation led

Kara Stand

REFERENCE	WATT	LUMEN	COLOR
895-0001	20W	800 lm	2700 K