



next generation led

info@nextgenerationled.be  
www.nextgenerationled.be  
Tel + 32 53 71 09 42

# PROJECTOR SFH SUFA-H

## Properties

- Lifespan L70 %: > 50.000 hours
- Efficacy : 90 lm/W
- LG High power LED chips
- No upward light spill
- Cast aluminum body and tempered glass 4.0T (Clear), anti UV & dust, shatter proof, powder coating finish
- Glare free silver coated narrow beam reflector
- Optimal lighting in consideration of athletes, spectators and live broadcasting settings, flicker free upto 1500 fps super slow-motion(SSM)
- High CRI & R9 for better color representation and visual acuity
- Various combinations available (1K2: 600Wx2 / 1K2: 300W x4)
- Constant current remote driver
- Wired (RS-485) and wireless (zigbee) dimming control option
- Warranty 5 years

## Application

Sport stadiums, indoor venues, air & seaport, indoor arenas, terminals, ultra high mast, MOD and military, surface mining, water and waste treatment, ...



IP 66

90 Ra

Narrow Beam

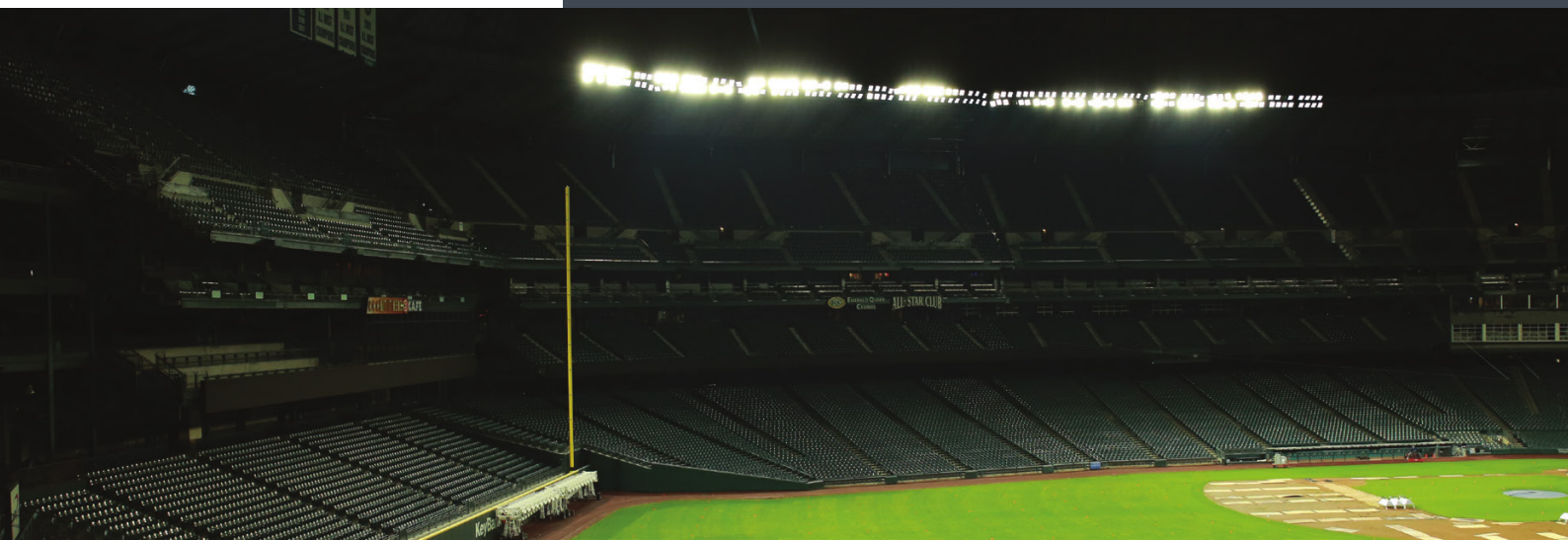
Certifications



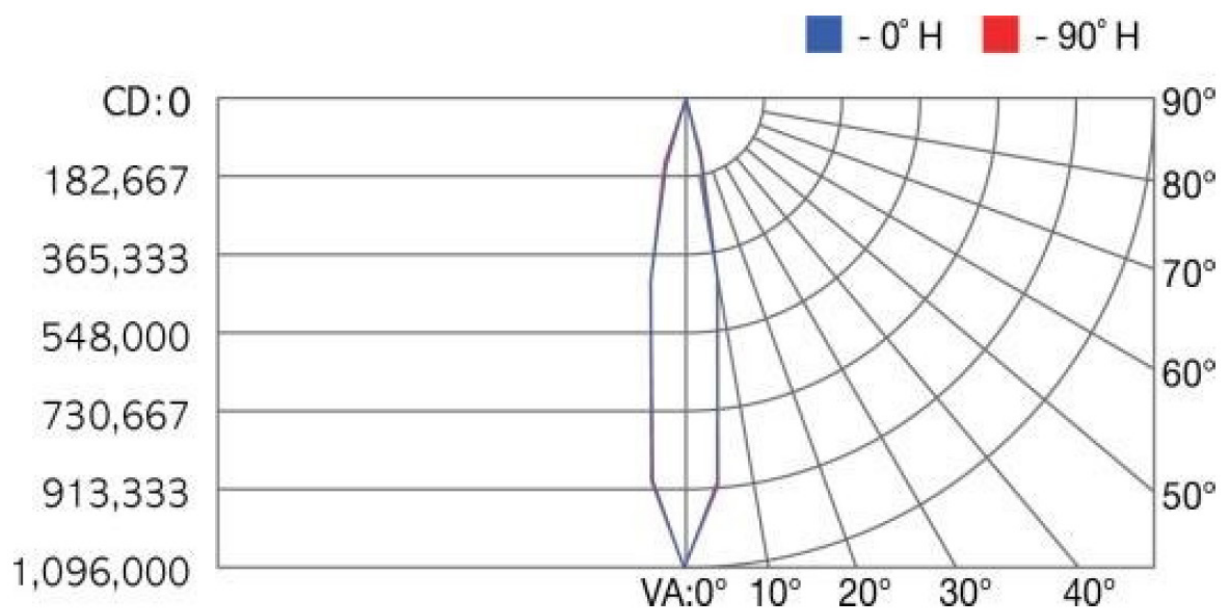
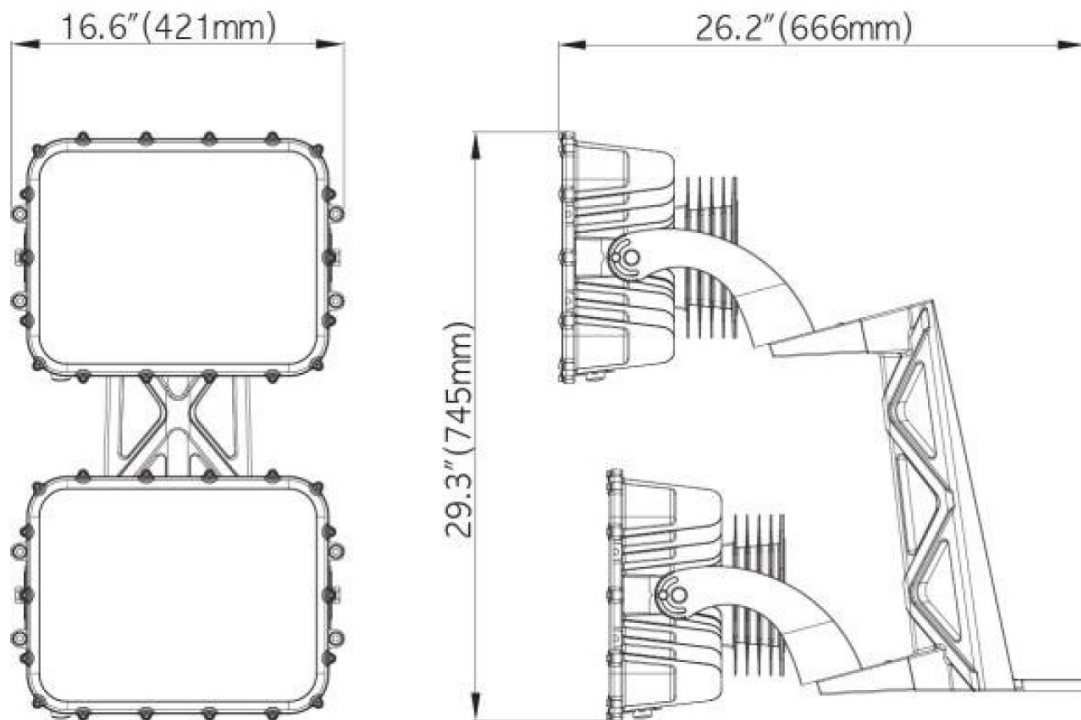
## Specifications

SUFA-H	SFH1K2
Power	1200W
Luminous flux	108000 lm
Powerfactor (Pf)	≥ 0.9 at max load
Input voltage	AC200 ~ 277V / 347 ~ 480V / 50-60Hz
Color rendering index	90 Ra
Color temperature	5000K
Beam Angle	20°
Temperature in use	- 30°C ~ 55°C
Size (WxLxH)	421x666x745mm
Weight	26kg
Surge Protection	line - line 20Kv, line - FG 20kv

Updated: April 2018



# Specifications



# Specifications

## Remote Driver



## Specifications

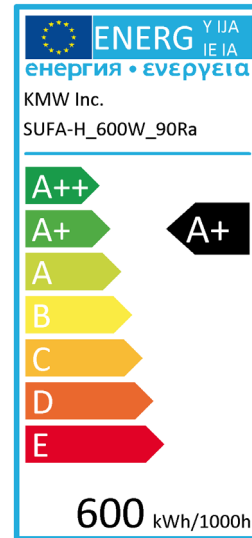
<b>Model Name</b>	<b>RED1K2</b>	
<b>Power Consumption</b>	1200W (1.2kW)	
<b>Input Voltage</b>	200 ~ 277 Vac	347 ~ 480 Vac
<b>Input Current</b>	Max. 7.0A (@200 Vac)	Max. 4.4A (@347 Vac)
<b>Surge Protection</b>	Line – Line 20kV, Line – FG 20kV	
<b>Driver Manufacturer</b>	GigaTera Inc., Korea	
<b>Size (W x L x H)</b>	7.15 x 5.95 x 18.5 (inch) / 181.7 x 151.2 x 470 (mm)	
<b>Weight</b>	28.7 lb / 13.0 kg	

## Control System (Optional)

RS-485	Wired Control
<b>Input Voltage</b>	15 Vdc
<b>Max. Power Consumption</b>	0.2W (@15 Vdc)
<b>Communication Method</b>	RS-485
<b>Data Rate</b>	38400 bps, 8-N-1
<b>Dimmer Level</b>	PWM, 0 – 10 Vdc

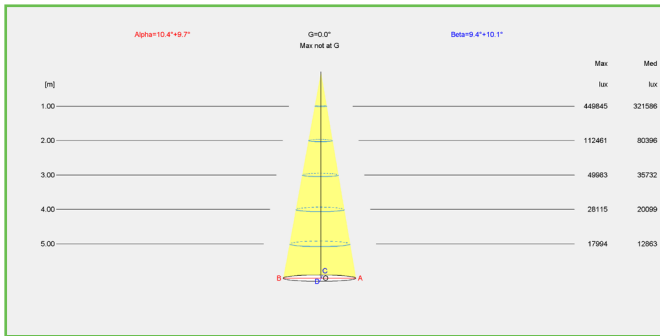
## ENERGY LABEL

Electrical appliances carry an energy label. This label prints the so-called energy efficiency score in classes. These classes range from 'very energy efficient' (A++) to 'very waste of energy' (E). A more expensive new device may eventually turn out to be cheaper if the energy score is good. IPEA is the new system for luminaire energy efficiency assessment.



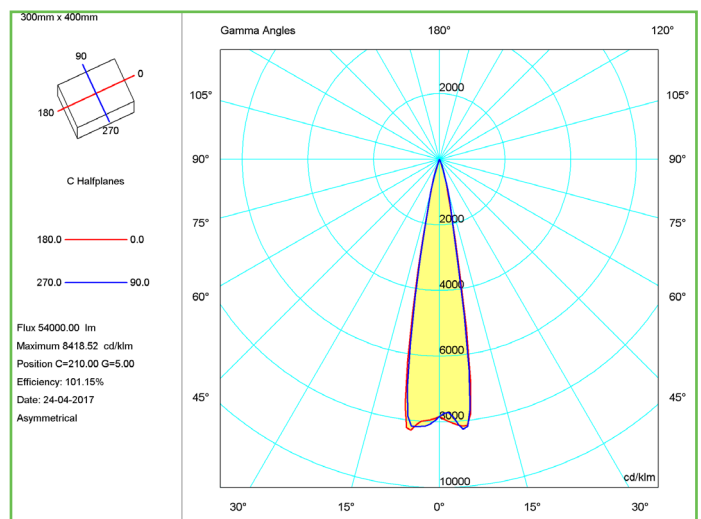
## BEAM

The Illuminance Cone Diagram indicates the maximum illuminance at different distances from the fixture.



## POLAR DIAGRAM

The polar luminous intensity graph illustrates the distribution of luminous intensity, in candelas, for the transverse (solid line) and axial (dashed line) planes of the luminaire. The shown curve provides a visual guide to the type of distribution expected from the luminaire e.g. wide, narrow, direct, indirect... in addition to intensity.





next generation led

## PROJECTOR SUFA-H

REFERENCE	WATT	LUMEN	COLOR	ANGLE	WIFI
175-0114	1200 W	108000 lm	5000 K	20°	Optional
171-0103	800-1200W		(RED) Remote Driver		

