



next generation led

info@nextgenerationled.be
www.nextgenerationled.be
Tel + 32 53 71 09 42

SORAA healthy™

Properties

- No blue content, which can negatively impact our sleep cycles and longer-term health, in the spectrum
- Lifespan L70 %: > 25.000 hr
- GaN on GaN™ (Gallium Nitride on Gallium Nitride)
- Energy savings up to 80%
- Flicker free to reduce the eyestrain
- Environment friendly: no mercury or toxic gasses
- Instant switch-on regardless of temperature or humidity
- Equal light distribution and high uniformity
- Compatible with most magnetic and electronic transformers
- Warranty: 3 years

Application

General purpose lighting, Residential Restaurant, Hospitality Spa & Wellness Facilities

MR16 7.5W



MR16-GU10 7.5W



CRI 80

25.000 h

R9 > 95

Specifications

Power	7.5W
Color temperature	2700K
Beam Angle	36°
Luminous intensity	400lm
Input voltage	12V / 50/60Hz
Color rendering index	CRI>80, R9>90
Power factor	> 0.95
Dimmable	yes

Updated: May 2019

SORAA healthy™

SORAA HEALTHY

REFERENCE	WATT	CRI	LUMEN	COLOR	BEAM	DIMMABLE
121-0102 (MR16)	7,5 W	CRI 80	400 lm	2700K	36°	YES
111-0017 (GU10)	7,5 W	CRI 80	400 lm	2700K	36°	YES

STANDARD LED – large blue peak

Intensity of Light
Wavelength of Light
Blue Range (440-490nm)

Faded colors and whites

SLEEP LED – reduced blue, unnatural yellow

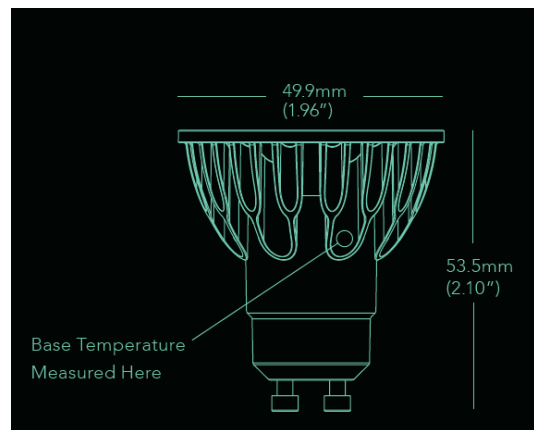
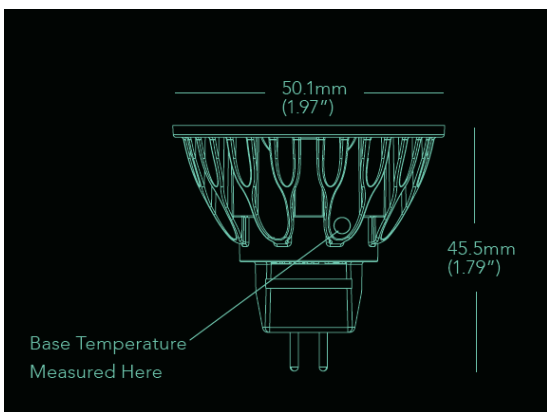
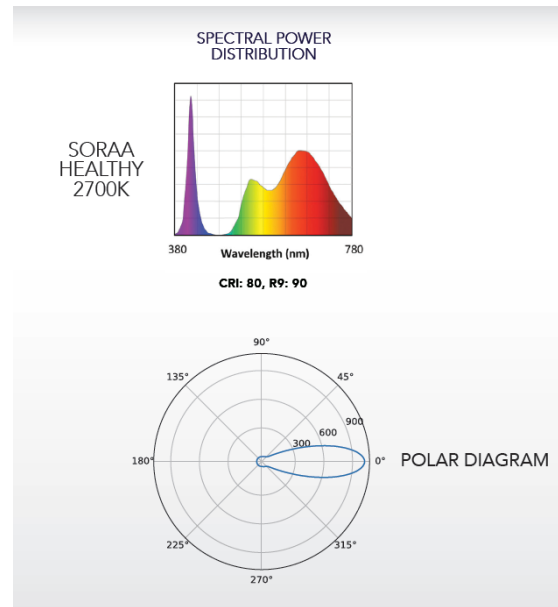
Intensity of Light
Wavelength of Light
Blue Range (440-490nm)

Unnatural yellow tint

SORAA ZEROBLUE LED – soft white light with no blue

Intensity of Light
Wavelength of Light
Blue Range (440-490nm)

Beautiful colors and whites



SORAA healthy™